



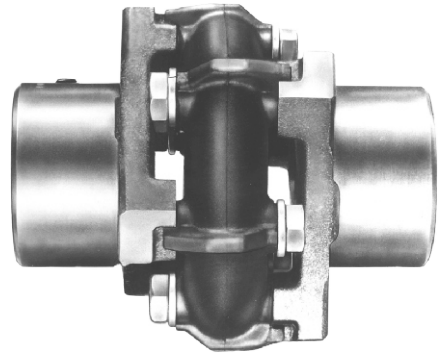
SAGA COUPLING

SAGA

Saga is a general purpose torsionally soft coupling with high tolerance to all forms of misalignment. The rubber between each apex is precompressed, so it is much more durable to the stresses arising from the various forms of misalignment and torsional vibrations.

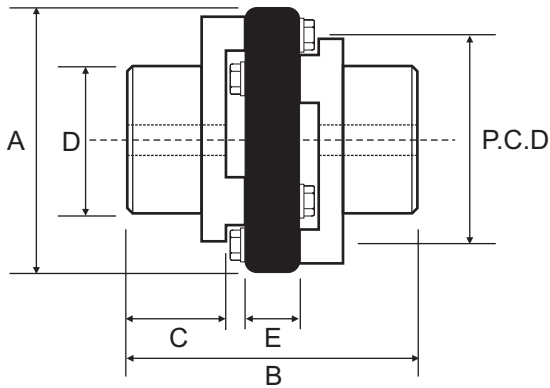
- No end thrust in misalignment position.
- Absorbs misalignment and shock.
- No axial reaction force.

Part No.	Max Bore	Power at 100 RPM kW	Nominal Torque (Nm)	Normal Maximum Speed (RPM)
S-11	30.2	0.419	40.0	10000
S-13	34.9	0.712	68.0	8400
S-15	47.6	1.183	113.0	7000
S-18	56.5	2.366	226.0	5600
S-22	63.5	3.550	339.0	5000
S-26	73.0	5.916	565.0	4000
S-30	85.7	8.283	791.0	3500
S-34	101.6	14.199	1356.0	2800
S-40	120.7	23.665	2260.0	2200



PERFORMANCE DATA

DIMENSIONAL DATA



Part No.	Bore		A	B	C	D	E	P.C.D.	No. Bolts
	Min	Max							
S-11	15.9	30.2	90.4	115.8	38.1	46.7	26.9	65.0	6
S-13	19.1	34.9	108.7	132.6	44.5	57.2	31.0	77.7	6
S-15	22.2	47.6	129.3	162.8	54.1	73.2	38.9	93.7	6
S-18	25.4	56.5	159.5	189.0	63.5	87.4	46.0	115.8	6
S-22	25.4	63.5	185.7	220.7	76.2	98.6	52.3	132.1	6
S-26	38.1	73.0	219.2	251.0	85.9	116.6	60.5	157.5	6
S-30	41.3	85.7	244.6	289.1	98.6	134.9	66.8	176.3	6
S-34	54.0	101.6	281.7	321.6	110.2	158.8	74.9	209.6	8
S-40	57.2	120.7	339.9	376.2	127.0	190.5	90.4	254.0	8

